

SaniLombardia

SEDILE WC AUTOMATICO SANIFICAZIONE VISIBILE

GUARANTEE CARD

Scope of Guarantee

Wing Technology will supply free extra accessories of NAVISANI toilet seat by certain rate of each order quantity for guarantee. The following situations are exceptional:
 1.Damages caused by human error, incorrect usage, lost, force majeure.
 2.Inappropriate testing or unauthorized assembly and disassembly.

Warning:

The product is designed to use NAVISANI sanitary film rolls only. We will not provide any guarantee if the malfunction is caused by using other film roll.

Xiamen Wing Technology Co., Ltd

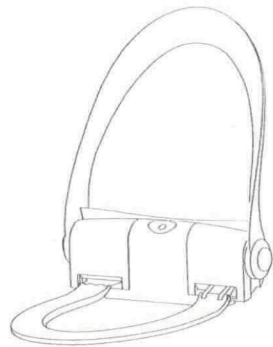
Tel: 86-592-5513520 Fax: 86-592-5511562

Web: www.navisani.com E-mail: wing@china-wing.com

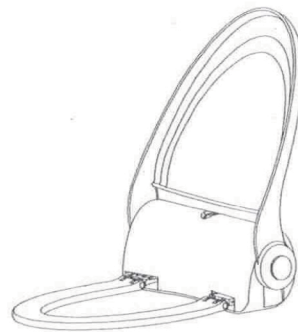
Factory Add: No.228, Jiutianhu Road, Jimei District, Xiamen, Fujian, China

Office Add: 5F, No.580, Jiahe Road, Huli District, Xiamen, Fujian, China

USER MANUAL



NS100
(60-65 times/roll)



NS200
(130-135 times/roll)

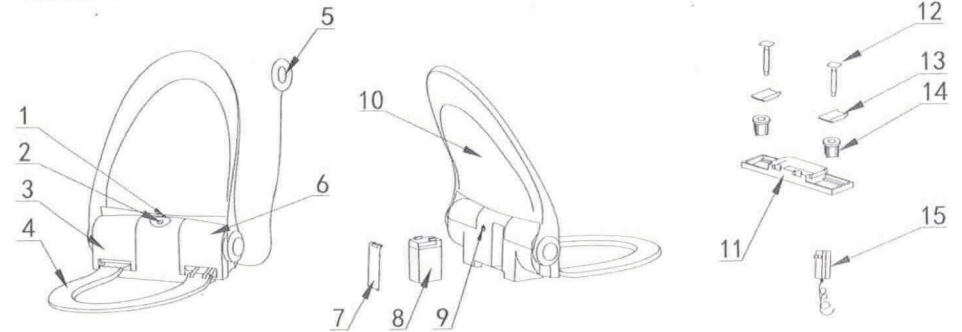
Thank you for purchasing sanitary toilet seat. To make sure the product is correctly used, please read carefully the user manual for installation and use.

Standard List

1. Intelligent Sanitary Toilet Seat (Together with one roll of film)
2. Installation Kit
3. Rechargeable Battery (Except for heating models)
4. Adapter
5. User Manual

Structure Diagram

NS100 :

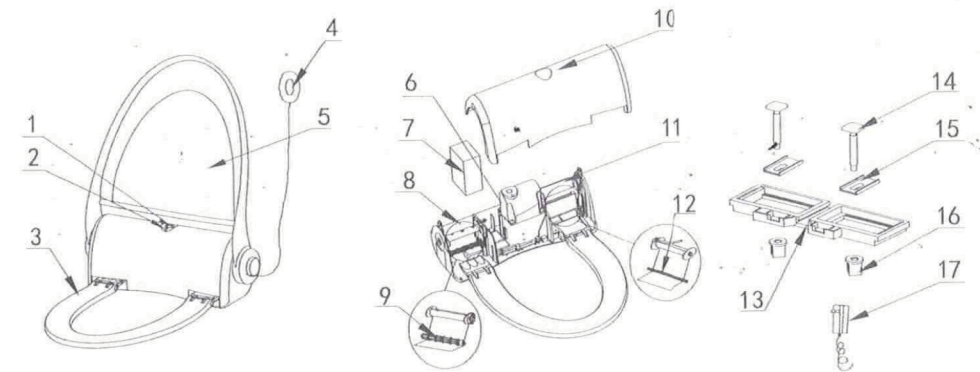


1. LED Indicator
2. Button
3. Fresh Film Cabin
4. Seat
5. Sensor Device (Alternative)
6. Used Film Cabin

7. Battery Cabin Cover
8. Rechargeable Battery (Except for heating models)
9. Charging Outlet
10. Toilet Cover

11. Mounting Base
12. Installation Bolts
13. Installation Spacers
14. Installation Nuts
15. Adapter

NS200 :



1. Button
2. LED Indicator
3. Seat
4. Sensor Device (Alternative)
5. Toilet Cover

6. Charging Outlet
7. Rechargeable Battery (Except for heating models)
8. Fresh Film Cabin
9. Counter Wheel
10. Cabin Cover
11. Used Film Cabin

12. Limit Lever
13. Mounting Base
14. Installation Bolts
15. Installation Spacers
16. Installation Nuts
17. Adapter

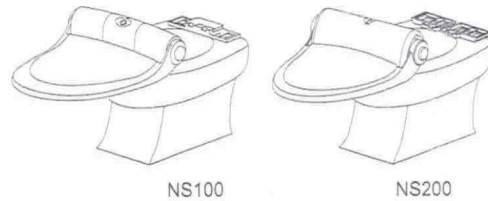
Toilet Seat Installation



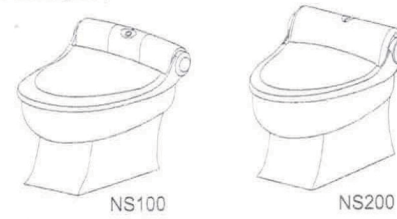
1. Find the two holes on the toilet bowl and put on the mounting base, spacers, bolts in turn.



2. Adjust the mounting base and spacers to the suitable position and tighten the nuts. (Do not be too tight.)

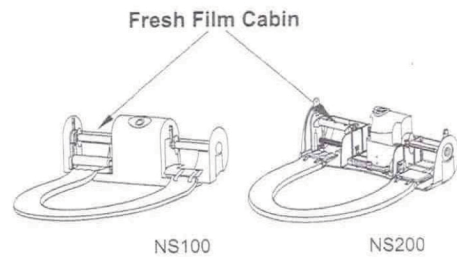


3. Slide the toilet seat along the slot at the top of the mounting base.

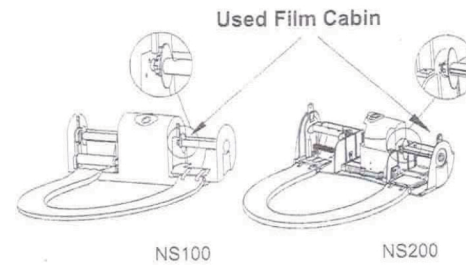


4. Adjust the spacers and bolts to make sure sanitary toilet seat and toilet bowl are aligned well, then fasten the nuts.

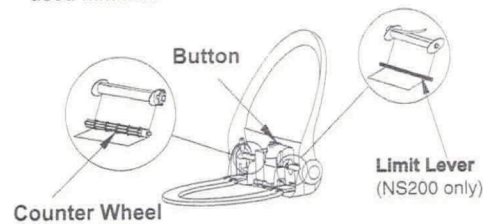
Film Replacement



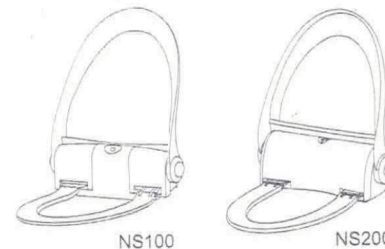
1. Open the used film cabin, then take out the used film roll.



2. Remove the film roller from the fresh film cabin and install it into the used film cabin. Roller should match the gears on the left side and be pressed into the slot on the right side.



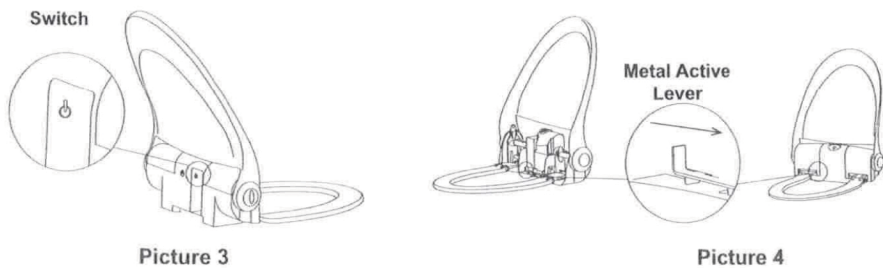
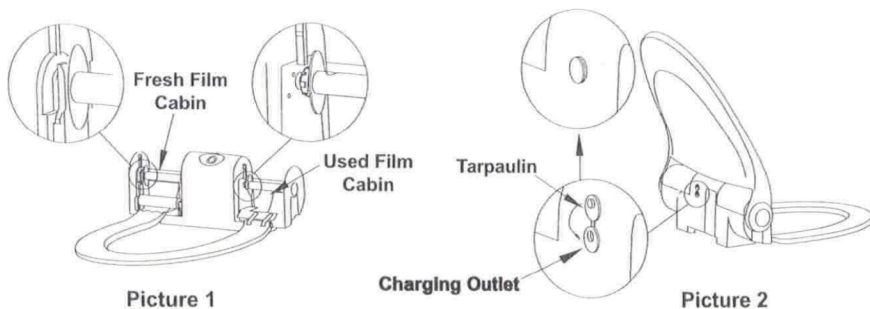
3. Put a fresh film roll into the fresh film cabin, then slide the film underneath the counter wheel. Continue to pull the film across the seat. When the film is bladed on the right side of the seat, pass it through the limit lever (only for NS200 series); reel the film into the film roller; then press the button.



4. Close the cabin. The film replacement is finished.

Usage Reminder

1. After toilet seat installation and film replacement, please make sure the film is installed in correct position that the roller should match the gears on the left side and be pressed into the slot on the right side. (Picture 1)
2. If the adapter is not used for power supply or not in charging, please cover the tarpaulin cap into the charging outlet hole to avoid damage caused by liquid or moisture. (Picture 2)
3. For toilet seats without heating function: the rated voltage of rechargeable battery is 6V. The input voltage of adapter is AC100V-240V; the output voltage is DC6-7.5V. The adapter can supply power for toilet seat directly and can also be used for battery charge.
4. For toilet seats with heating function:
The input voltage of adapter is AC100V-240V; the output voltage is DC24V.
These models are not equipped with rechargeable battery.
And there is a multi-level temperature control system. When there is a malfunction with the micro-computer controller, the heating temperature will not exceed 45°C to avoid scald.
If heating function is not needed, just press down the heating switch in the rear cabin. (Picture 3)
5. For sensor models, please put your hand 6-12cm in front of the sensor device to activate. Please make sure the sensor device is clear of barriers within 30 cm.
6. The sanitary film is only for one-time use, which is cut before rolling into the used film cabin.
7. A red line will appear when the sanitary film wrap remains 1-2m. It reminds users to replace the film.
8. When dismantling the toilet seat, please press the metal active lever to the right side, then pull out the toilet seat from the mounting base (Picture 4). For NS200 series, please remove the cabin cover before pressing the metal active lever.



9. Micro-computer & Indication Light Functions:

- (1) Restarting Intervals: The motor will stop for 6 seconds before restarting to avoid waste.
- (2) Overload Warning: The motor will stop working when the changing film encounters unusual resistance force.
- (3) When no loading; counter wheel fault; or the film roller is not installed in place, the LED light will be on all the time.
- (4) When the rechargeable battery is in low position, the LED indicator will flash and the motor will stop working or turn slowly. Please charge the battery for 4-6 hours.

Safety Precaution

1. When using the adapter for power supply or battery charging, please make sure the voltage scope is between 100V and 240V. Incorrect use may cause damage to the machine.
2. Please keep 12 hours power charge for new battery or for battery not been used for a long time. In other cases, the power charge takes 6 hours. To assure the best performance of the battery, power charge should only happen when the battery power is low. When power charging, the environmental temperature should be between +5°C (+41°F) and +45°C (+113°F). The battery charging should not exceed 24 hours continuously, or it may affect the service life of battery.
3. The machine has electric parts like motor, circuit board and adapter, etc. in it. Some models have lead-acid battery. All these parts may have affect to the environment. Please hand over to the qualified recycling company for disposal or dispose according to the local regulation.
4. Make sure that the machine is not exposed to the direct sunlight. Keep it away from acid or alkaline liquid. Do not splash or soak water & cleanser on the machine. Do not squat on the seat.
5. Do not press the button or activate the sensor when the toilet cover is closed; or when seat is raised up; or while user is sitting on it.

NOTES:

KEEP THE ELECTRIC & METAL PARTS AND BATTERY AWAY FROM OTHER METAL OR LIQUID. IN ORDER TO AVOID THE POSSIBLE DAMAGE & SERVICE INCONVENIENCE, PLEASE DO NOT USE ANY REPLACEMENT PARTS WITHOUT APPROVAL BY US.

Product Malfunctions & Solutions

This instruction summarizes normal malfunctions that you might encounter while using the intelligent sanitary toilet seat. If the malfunctions can't be solved by the following solutions, please contact the local distributor or service provider.

Malfunctions	Possible Causes	Solutions
Seat doesn't work when pressing the button or using the sensor, and the LED indicator has no warning sign.	Running out of battery.	Charge the battery.
	The seat is not connected to battery or adapter.	Connect the seat to battery or adapter.
Motor doesn't run or runs slowly, and the LED indicator flashes in red.	Low battery.	Charge the battery.
Motor runs properly, but the LED indicator stays on in red, and the film turns more than should.	Film does not go beneath the counter wheel when installing the film.	Reinstall the film, put it go beneath the counter wheel.
	Counter wheel conglutinates too much dirt.	Clean the stuff on counter wheel.
Motor doesn't run, and the film turns less than should. The LED indicator turns red for 2 seconds, then turn off.	Film piles up at the cutter point, and can't cut film well.	Clean out the piled up film, and tear a short film before the cutter point.
	Too much dirt or liquid on the toilet edge, and the sticky film leads to strong resistance force.	Clean up the dirt or liquid that affects film replacement.
Regular or irregular abnormal sound in cabin when seat is working.	Film roller is not put into roller slot correctly.	Open cabin and reinstall the film roller into roller slot.
Motor runs properly, but the film doesn't turn as usual, and the LED indicator stays on in red.	Film in used film cabin is too fluffy, clings to the cabin.	Cut off the used film in used cabin, and reinstall it.
Seat with sensor device starts automatically without sensor activation.	There may be obstructions in line of view of sensor device.	Clear the line of view of sensor device.
Heating seats can't heat, and the LED indicator has no warning sign.	The heating switch is off.	Turn on the heating switch in the back cabin.